



NODE 10

Node 10 is the ideal solution for retail store size of 1800 - 2200 square feet. Supporting up to 10 cameras, Node 10 is able to run up to 10 video analytics concurrently and store up to 30 days of video footages. All analytics data and event videos are synced to our hosted VAaaS cloud and you may review it whenever you need. Node 10 supports all of the current business and security intelligence analytics available, with more innovative analytics coming into our analytics store soon.

BUSINESS INTELLIGENCE ANALYTICS



PEOPLE COUNTING

Quantifies store traffic to measure sales conversion rate, and/or optimize staff allocation



AUDIENCE PROFILING

Breaks down customer demographics, making selling more targeted



CROWD DENSITY

Tells you areas in your store with greater activity, increasing visibility of promotions



HUMAN TRAFFIC FLOW

Tracks visitors' paths, to best attract their attention through careful product placement



AUDIENCE ATTENTION

Measures the attention captured and held to know the effectiveness of in store promotions

SECURITY INTELLIGENCE ANALYTICS



FACE INDEXING

Captures and indexes faces to reduce investigation time in case of theft or loss



INTRUSION DETECTION

Allows defining of high security zones, and alerts you when intruders are detected



PERIMETER DEFENSE

Prevents unwanted movements and alerts you if specific boundaries are crossed



LOITERING DETECTION

Detects loitering activities by tracking the amount of time visitors spend in an area



COUNT LIMIT DETECTION

Allows limiting of the number of visitors in an area and alerts you if that number is exceeded



CAMERA TAMPERING

Ensures that cameras are working, by alerting if views are blocked or out of focus

BUSINESS

The KAI Business Intelligence Analytics allow you to better target customers, improve store layout and display, forecast your merchandising and control your inventory.

SECURITY

The KAI Security Intelligence Analytics detect and trigger alerts of potential threats, enabling immediate response and hence enhancing security.



10 CONCURRENT IP CAMERAS



10 CONCURRENT VCAS



30 DAYS RECORDING



ON-CLOUD EVENT VIDEO ARCHIVE

For enquiries, email us at: contact@kaisquare.com

<http://vaaas.kaisquare.com>








VIDEO ANALYTICS
AS - A - SERVICE

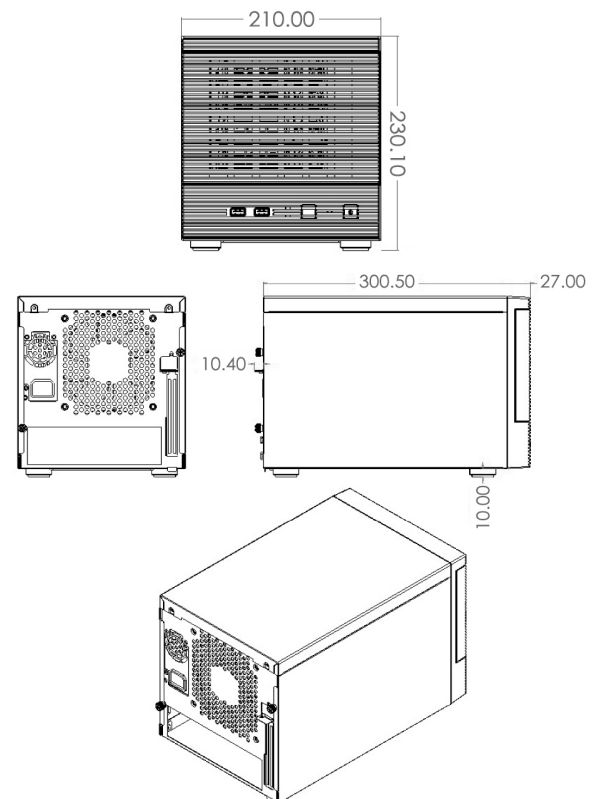
A KAI Square Business Product



SPECIFICATIONS

| | |
|--------------------------|--|
| Included Per Set | Node 10 x 1pc IP Camera x 10pc 4+12 PoE Switch x 1pc Accessories |
| Form Factor | Mini-Tower 4-Bays |
| Operating System | Linux |
| CPU | Intel Core i5-2400 |
| Memory | DDR3 4GB |
| No. of Supported Cameras | 10 |
| No. of Concurrent VCAs | 10 |
| No. of Supported VCA | Business Intelligence: <ul style="list-style-type: none"> ▪ People Counting ▪ Audience Profiling ▪ Crowd Density ▪ Human Traffic Flow ▪ Audience Attention Security Intelligence: <ul style="list-style-type: none"> ▪ Intrusion Detection ▪ Loitering Detection ▪ Perimeter Defense ▪ Count Limit Detection ▪ Camera Tampering ▪ Face Indexing |
| Storage | 4 x 3.5" SATA II Up to 8TB |
| Supported Resolution | <u>Recording</u> VGA / H264 / 30fps <u>Live view</u> QVGA / H264 / 30fps |
| Supported IP Camera | Generic ODM IP Cameras |
| Network Interface | Gigabit LAN port x 2 |
| Working Environment | 0 - 40 celsius 10-90% R.H. |
| Certification | CE/FCC CCC (POWER) |
| Power Supply | Input : AC 100 -240V Output: 200 W Single |
| Dimension | 200x205x318 mm |
| Net Weight | 5KG |

-  **H.264** High Profile / MJPEG Dual Compression
-  **Built-in Intel i5 CPU** for best local monitoring
-  **Support iPhone® and Android® streaming** for monitoring at anytime and anywhere
-  **Power-over-Ethernet IEEE 802.3 af** for simplified connection
-  **Storage** for up to 30 days



Singapore (HEADQUARTER)

📍 33 Ubi Avenue 3, #03-39
Vertex Tower A,
Singapore 408868

✉ enquiry@kaisquare.com
sales@kaisquare.com (Sales)

☎ Tel: +65 6634 8809
Fax: +65 6634 8839

BEIJING, CHINA (RESEARCH CENTRE)

📍 Room 3020,
Chuang Xin Building,
No. 101 South Road of West
4th Ring,
Feng Tai District,
Beijing, China, 100070

☎ Tel: +86 10 6379 1098
Fax: +86 10 6379 0598

SUZHOU, CHINA (CHINA SALES OFFICE)

📍 Room 335, Public Academy, No. 377
Linqun Street, Science and Education
Innovation District, Suzhou Industrial Park,
Suzhou, Jiangsu, China, 215123

✉ sales-cn@kaisquare.com

☎ Tel: +86 512 6285 3755
Fax: +86 512 6285 3756

TAIPEI, TAIWAN (TAIWAN SALES OFFICE)

📍 7F, No.21-1, Nanyang Street,
Zhongzheng District,
Taipei City, 10047,
Taiwan, R.O.C

✉ sales@kaisquare.com.tw (Sales)
business@kaisquare.com.tw (Business)

☎ Tel: +886 2 2388-6323